

ENOVA

# Slitting Machine



Economic Slitter with High Efficiency



[www.dahbah.com.tw](http://www.dahbah.com.tw)

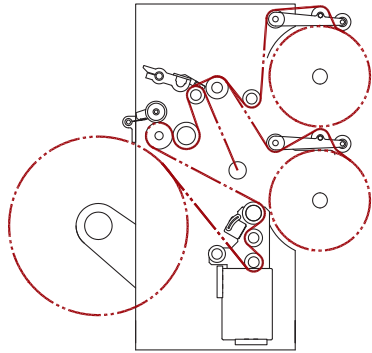


**DAH BAH**  
QUALITY • PROFESSIONAL • INNOVATION

# Slitting Machine

## Economic & Humanized Operation

### ■ ENOVA Series



#### Features :

##### Materials

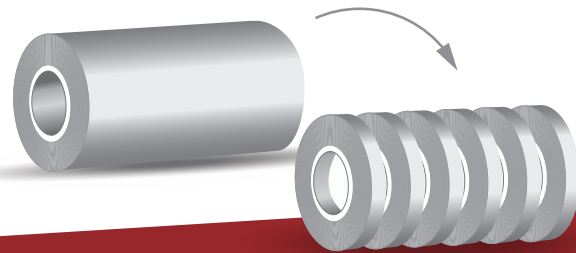
- Laminated films 40-150 $\mu$ ; OPP 30-150 $\mu$ ; CPP 30-150 $\mu$ ;  
PVC (Soft), 30-150 $\mu$ ; PET 30-80 $\mu$ .

##### Rewinding Type

- Differential center rewinding with duplex rewind shafts.

##### Unwinding Section

- Shaft less unwinding stand (Motorised left / right movement) with mechanical chuck.



#### Specification :

Model No.	SLV-T130F
Min. & Max. Parent Web Width	650 ~ 1300 mm
Max. Parent Web Diameter	800 mm
Unwind / Rewind Core I.D.	3" or 6"
Max. Rewind Diameter	450 mm
Min. & Max. Slit Width	50 ~ 650 mm (Depends on various materials' conditions)
Max. Machine Speed	300 M / min.

- Equipped with digital type line position control (LPC) to ensure accurate slitting position.

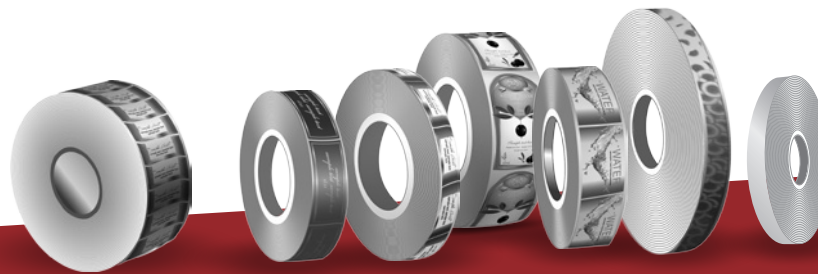
##### Slitting Section

- Equipped with razor cutter and cutting in the air.
- Equipped with grooved roller for razor blades.
- Equipped with blower and expulsion tube.

##### Rewinding Section

- Cantilevered type mechanical rewinding shafts for easy operation.

- Equipped with ball type friction rings, which not only can facilitate the concentricity of the paper cores and finish rolls, but also can make unloading easier without causing paper dust.
- Equipped with automatic tension controlling system and load-cells. The actual tension is digitally displayed, increasing the tension control precision with minimal operation effort.
- Static eliminated brush equipped.
- Lay-on roller pneumatic pressure control system.
- Unloading device.



Add. No. 69-10, Sec. 2, Chung Shin Rd., Tali Dist., Taichung City 412, Taiwan

Tel. +886-4-2483-2477 Fax. +886-4-2483-0852

E-Mail. dahbah@dahbah.com.tw website. www.dahbah.com.tw

\* The working speed depends on the material condition and slitting width.

\* Due to machine development, above information may change without notice.